

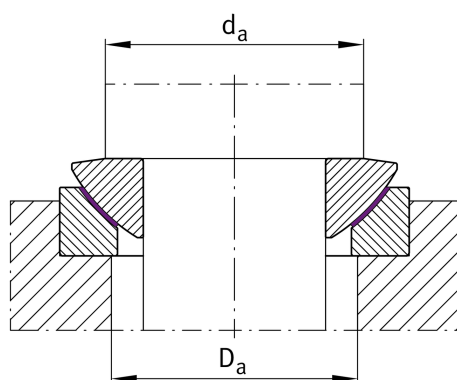
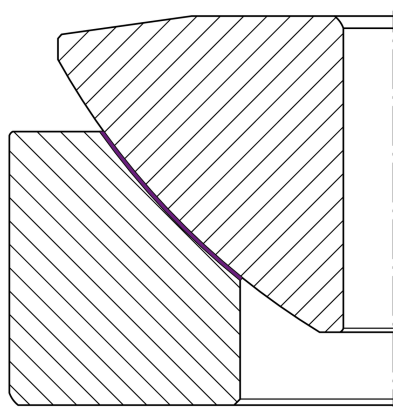
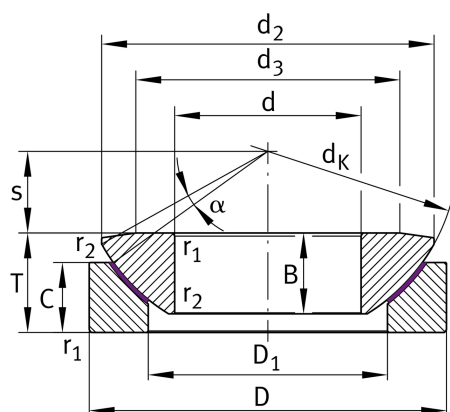
GE20-AW

Spherical plain bearing

Schaeffler ID:
0066514880000

Axial spherical plain bearing, maintenance-free, DIN ISO 12240-3, shaft location washer curved surface with hard chromium coating, open design

Technical information



Main Dimensions & Performance Data

d	20 mm	Bore diameter bearing
D	55 mm	Outside diameter bearing
T	20 mm	Height
B	14.3 mm	Width Inner ring
C_a	225,000 N	Basic dynamic load rating, axial
C_{0a}	376,000 N	Basic static load rating, axial
	0.26 kg	Weight

Dimensions

d_K	60 mm	Ball diameter
d_2	50 mm	Outer eye diameter
d_3	40 mm	Front surface diameter of shaft washer
D_1	33.5 mm	Bore diameter of housing washer
C	13 mm	Width Outer ring
s	12.5 mm	Plane Surface Spacing
α	6 °	Tilt angle
d_{OT}	0 mm	Bore diameter bearing, upper tolerance
d_{UT}	-0.01 mm	Bore diameter bearing, lower tolerance
D_{OT}	0 mm	Outside diameter, upper tolerance
D_{UT}	-0.013 mm	Outside diameter, lower tolerance
T_{OT}	0 mm	Height, upper tolerance
B_{OT}	0 mm	Width inner ring, upper tolerance
T_{UT}	-0.4 mm	Height, lower tolerance
B_{UT}	-0.24 mm	Width inner ring, lower tolerance
C_{OT}	0 mm	Width outer ring, upper tolerance

Mounting dimensions

$r_{1\text{min}}$	1 mm	Edge Spacing
$r_{2\text{min}}$	0.3 mm	Edge Spacing
$d_{a\text{max}}$	40 mm	Connection measure Inner ring
$D_{a\text{min}}$	38 mm	Housing Connection Diameter

Temperature range

T_{min}	-50 °C	Operating temperature min.
T_{max}	150 °C	Operating temperature max.